

# Installation Guide

---

RevFace15[TI]

Version: 1.0

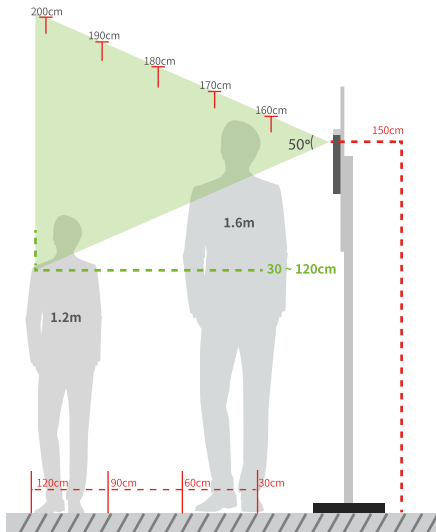
# Installation Requirements

The installation requirements and indicators associated with the temperature measurement is given below:

Specifications	Standard Value	Remark
<b>Operating Environment</b>	Use indoor, avoid wind and direct sunlight; 16°C to 35°C (60.8°F to 95°F)	The recommended operating temperature is 25°C (77°F).
<b>Distance (between face and device)</b>	30cm to 120cm (0.98ft to 3.94ft)	The recommended distance is 80cm (2.62ft).
<b>Measurement Deviation</b>	±0.3°C (±0.54°F)	This value is tested in a distance of 80cm or 2.63ft under 25°C (77°F) environment.

**Note:** The temperature measurement data is only for reference, and not for any medical purposes.

## Forehead Temperature Detection



### Indoor constant temperature environment

- **Installation Height:** 1.5m
- **FOV (Field of View) of the Thermal imaging Device:** 50°
- **Temperature Measurement Distance:** 0.3m to 1.2m
- **Height of the Face Adapted for Detection:** 1.2m to 2m

### Installation environment:



INSTALL INDOORS ONLY



AVOID INSTALLATION NEAR GLASS WINDOWS



AVOID DIRECT SUNLIGHT AND EXPOSURE

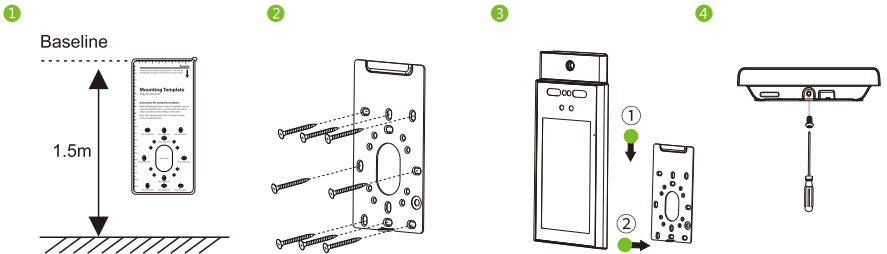


AVOID USE OF ANY HEAT SOURCE NEAR THE DEVICE

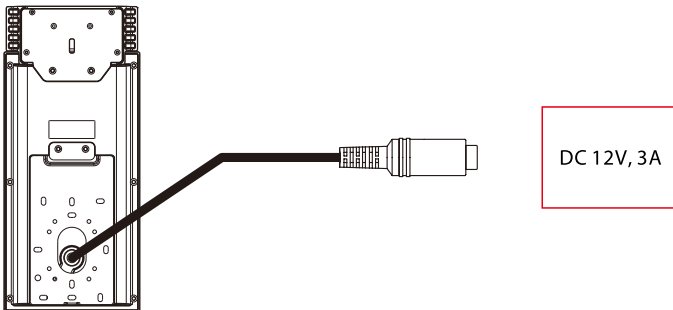
# Device Installation

## Installing on the wall

- 1 Place the mounting template sticker onto the wall, and drill holes according to the mounting paper.
- 2 Fix the back plate onto the wall using wall mounting screws.
- 3 Fix the device into back plate.
- 4 Use the safety screw to fasten the device to the back plate.

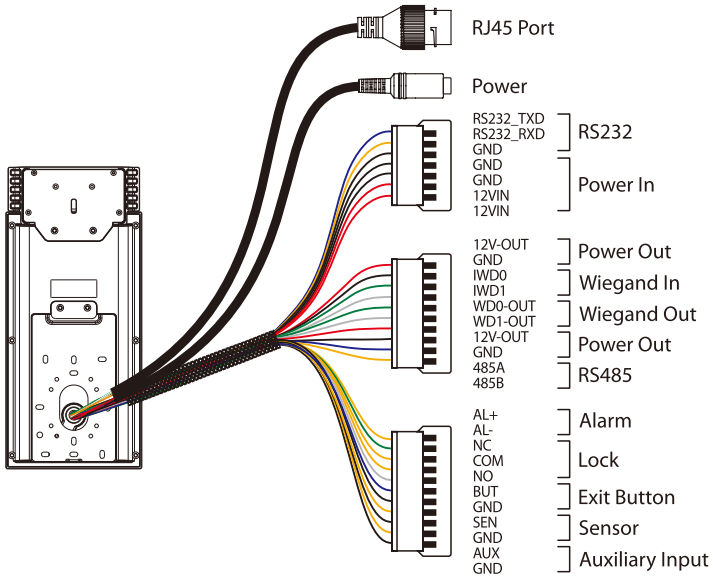


## Power Connection

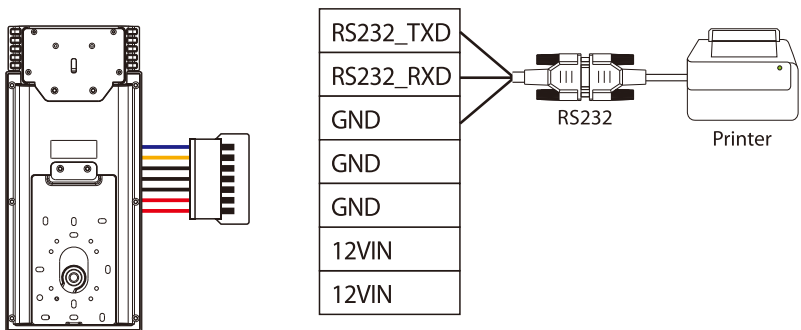


- Recommended AC adapter: 12V, 3A
- To share the power with other devices, use an AC adapter with higher current ratings.

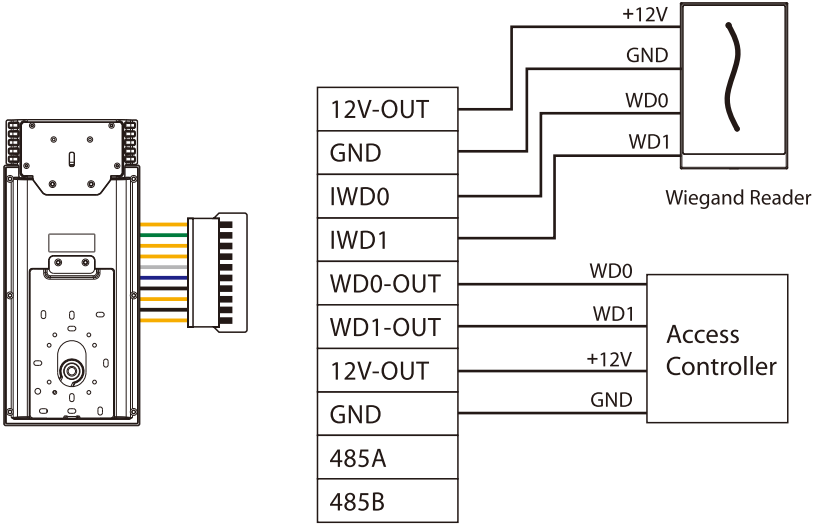
## Port Introduction



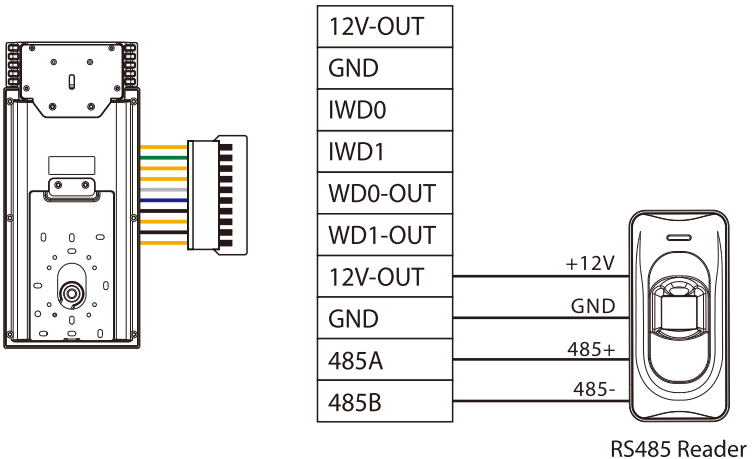
## Printer Connection



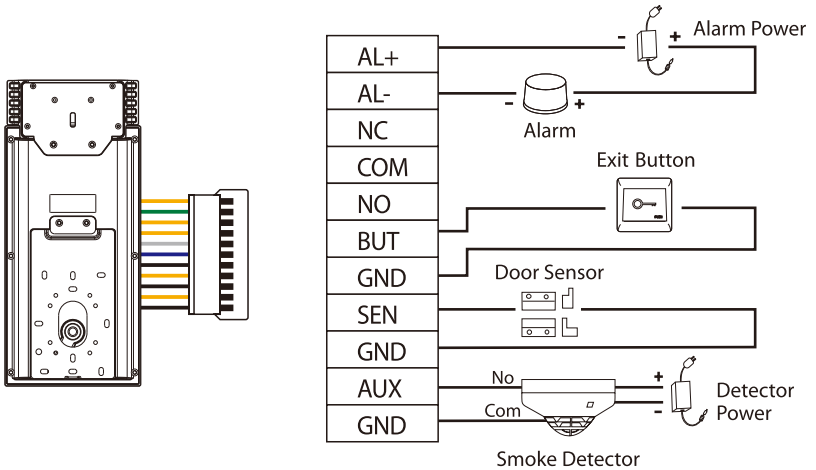
## Wiegand Reader Connection



## RS485 Connection



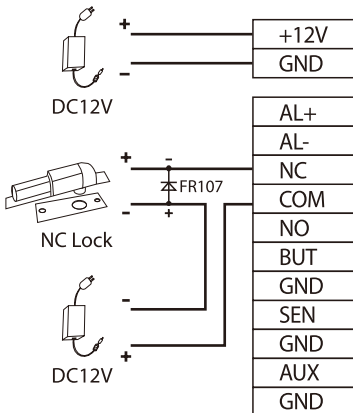
## Door Sensor, Exit Button & Alarm Connection



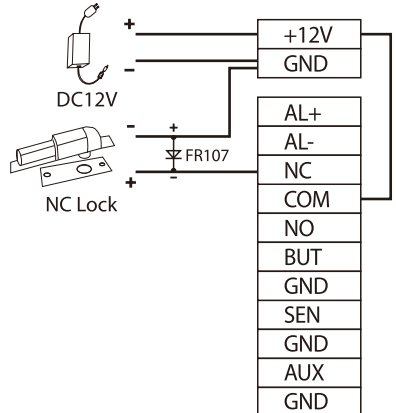
## Lock Relay Connection

The system supports both **Normally Opened Lock** and **Normally Closed Lock**. The **NO Lock** (normally open when powered) is connected with '**NO**' and '**COM**' terminals, and the **NC Lock** (normally close when powered) is connected with '**NC**' and '**COM**' terminals. The power can be shared with the lock or can be used separately for the lock, as shown in the example with NC Lock below:

1) Device not sharing power with the lock

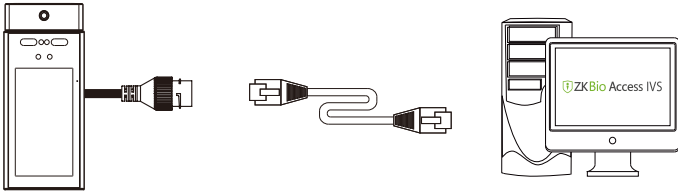


2) Device sharing power with the lock



## Ethernet Connection

Connect the device and the software over an Ethernet cable. An example is shown below:



Default IP address: 192.168.1.201  
Subnet mask: 255.255.255.0

IP address: 192.168.1.130  
Subnet mask: 255.255.255.0

Click [**Comm.**] > [**Ethernet**] > [**IP Address**], input the IP address and click [**OK**].

**Note:** In LAN, the IP addresses of the server (PC) and the device must be in the same network segment when connecting to ZKBioAccess IVS software.

## Download Center

Use the mobile phone and scan the QR Code to download the User Manual, Installation Guide and Quick Start Guide.



*Download Center*

ZKTeco Industrial Park, No. 32, Industrial Road,  
Tangxia Town, Dongguan, China.

Phone : +86 769 - 82109991

Fax : +86 755 - 89602394

[www.zkteco.com](http://www.zkteco.com)

